


Consultant:
MISON'S
MISON'S Infracon Private Limited
 PROJECT Office: House No 176 Ward No
 40, DAV Road Waichan Singrauli (M.P)

Client:

NAGGAR PARISHAD SARAI
DISTT. SINGRAULI (M.P.)

Title: C/s of WBM Road
Details: Construction of WBM Road at
 Ward No. 02 From Rajkumar Saket House to
 Mukesh Panariya House, Sarai

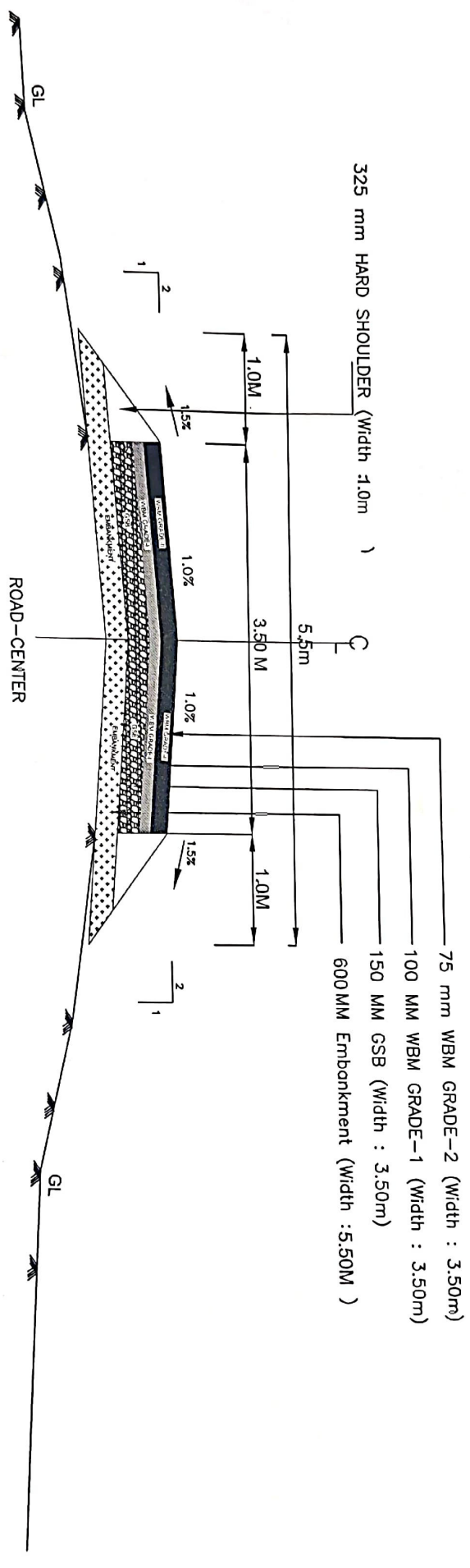
Approved By:
 Sub. Eng.

Detail:
 DRAWING NO : NP/SIG/SARAI-10/2024

DATE	REVISION	REL. NO
01/01/2024	1	0
DESIGNER	CHECKER	DATE
MUSEEMA ANSARI		
DESIGNED BY	DATE	REVISION
E. A. ANSARI		

S/S/E

*मुख्य नगर पालिका अधिकारी
 नगर परिषद सरई
 जिला-सिंगरौली (म.प्र.)*

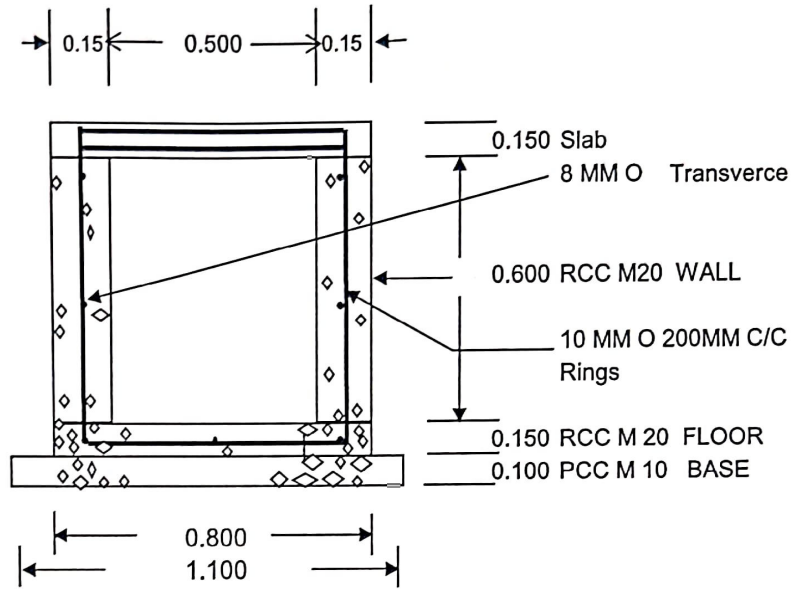


- 325 mm HARD SHOULDER (width 1.0m)
- 75 mm WBM GRADE-2 (width : 3.50m)
- 100 MM WBM GRADE-1 (width : 3.50m)
- 150 MM GSB (width : 3.50m)
- 600 MM Embankment (width : 5.50M)

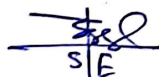
Drawing

Name Of Work
Name Of Site :

Construction of RCC Drain (With slab)
As Per Attached Sheet Mentioned In Technical Report



CROSS SECTION RCC DRAIN


 S/E
 Sub Engineer
 Nagar Parishad Sarai


 मुख्य नगर पालिका अधिकारी
 Chief Municipal Officer
 Nagar Parishad Sarai
 नगर परिषद सरई
 जिला-सिगरौली (म.प्र.)