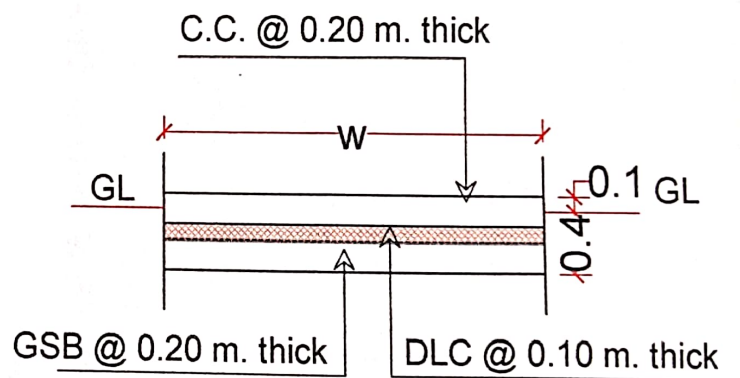


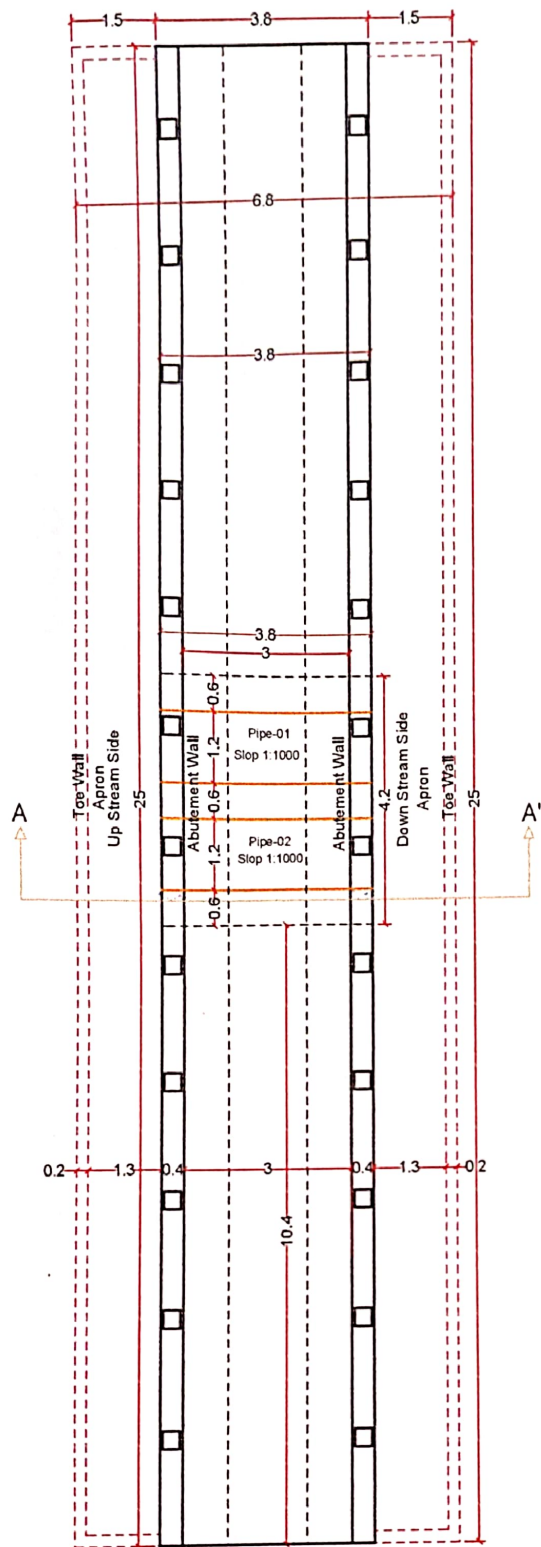
C.c. Road Plan



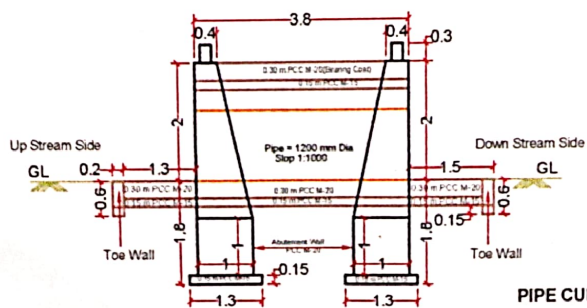
C/s A-A' of C.c. Road Plan

**WARD NO. 04 C.C. ROAD
NAGAR PARISHAD BISTAN, DIST.KHARGONE (M.P.)**


**उपयंत्री
नगर परिषद बिस्तान**



PIPE CULVERT PLAN



C/s of A-A'



**उपयंत्री
नगर परिषद बिस्तान**

**PIPE CULVERT PLAN
WARD NO. 04 - SHAMSHAN GHAT MARG, GHATTI
NAGAR PARISHAD BISTAN, DIST. KHARGONE (M.P.)**