
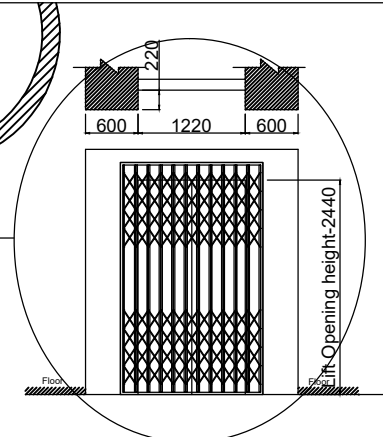
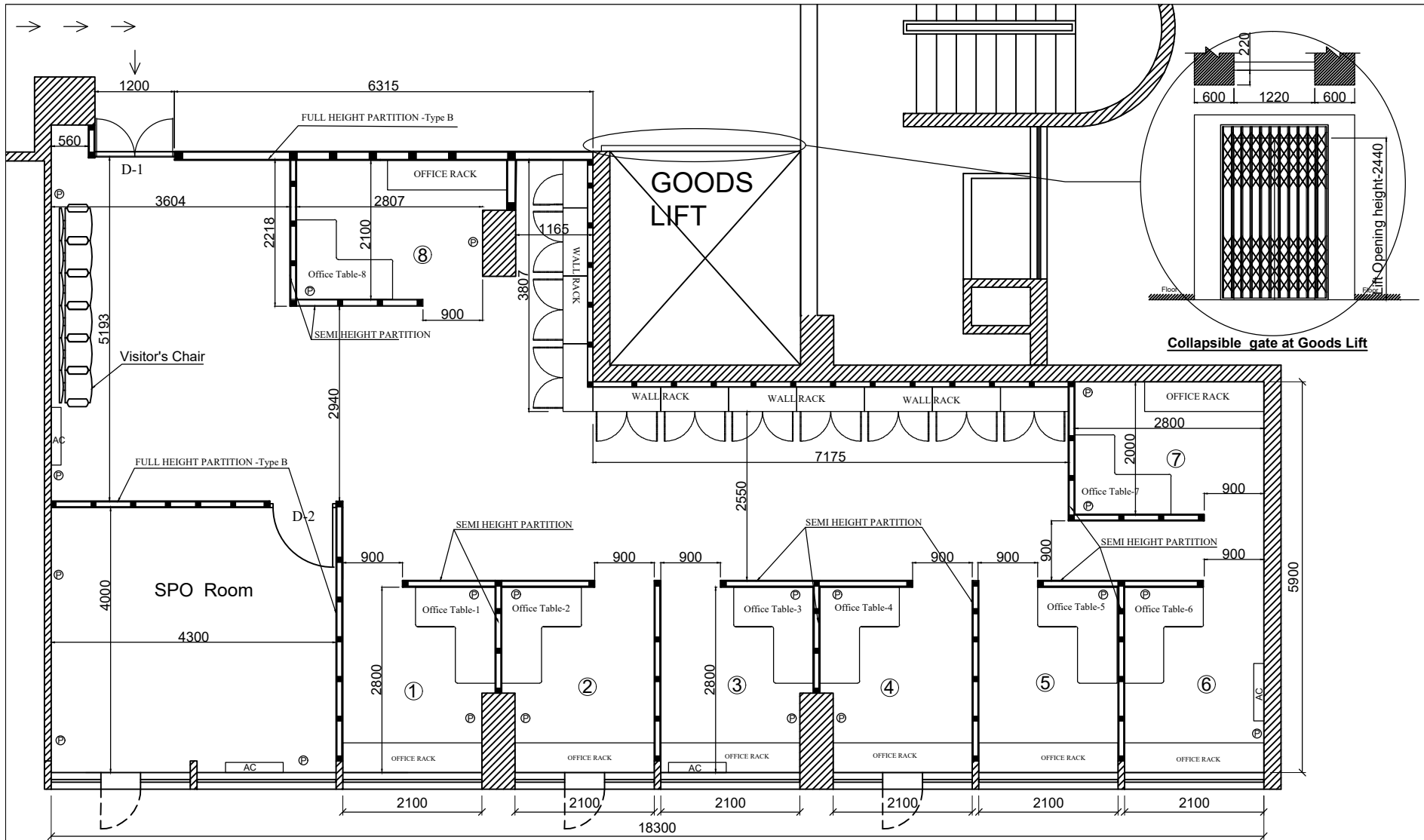


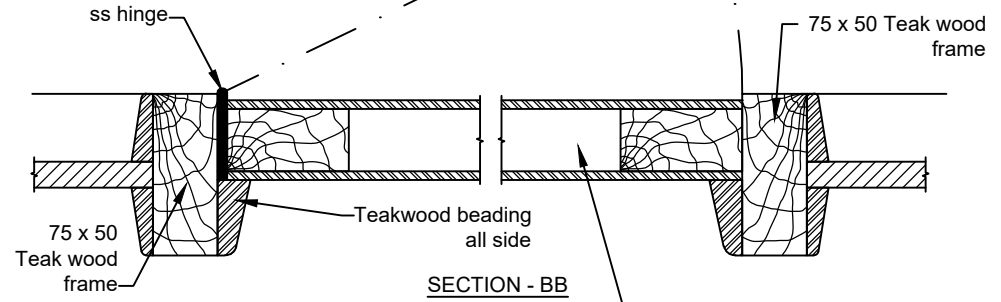
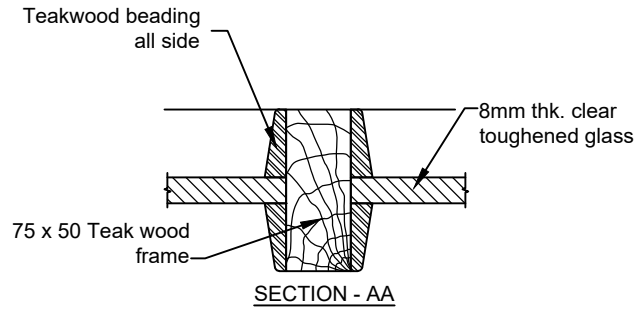
All dimensions are in mm

NATIONAL COUNCIL OF SCIENCE MUSEUMS 			
UNIT: C.R.T.L.		PROJ.- CRTL	
DRG. NO. Ex.Lay01/01/2026	DATE 24/04/2026	SCALE 0 : 00	TOLERANCE ± 0.25mm
TITLE:- LAYOUT - 1 At 5th Floor			NO OFF.
DRN. BY MINAKSHI DUTTA		CKD. & APPRD. BY PRAVEEN CHANDAKER	



All dimensions are in mm

NATIONAL COUNCIL OF SCIENCE MUSEUMS			
UNIT: C.R.T.L.	PROJ.- CRTL		
DRG. NO. Ex.Lay02/02/2026	DATE 24/04/2026	SCALE 0 : 00	TOLERANCE ± 0.25mm
TITLE:- LAYOUT-2 at 3rd Floor			NO OFF.
DRN. BY MINAKSHI DUTTA	CKD. & APPRD. BY PRAVEEN CHANDAKER		



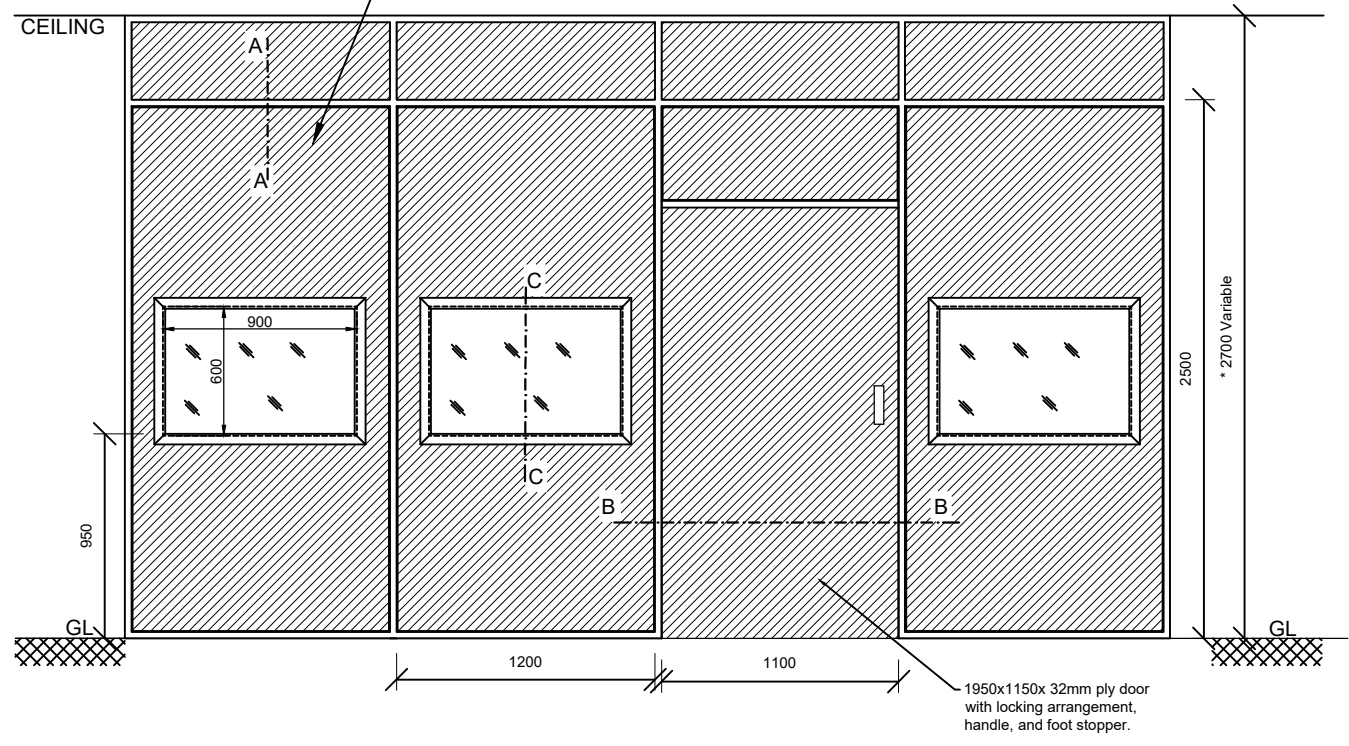
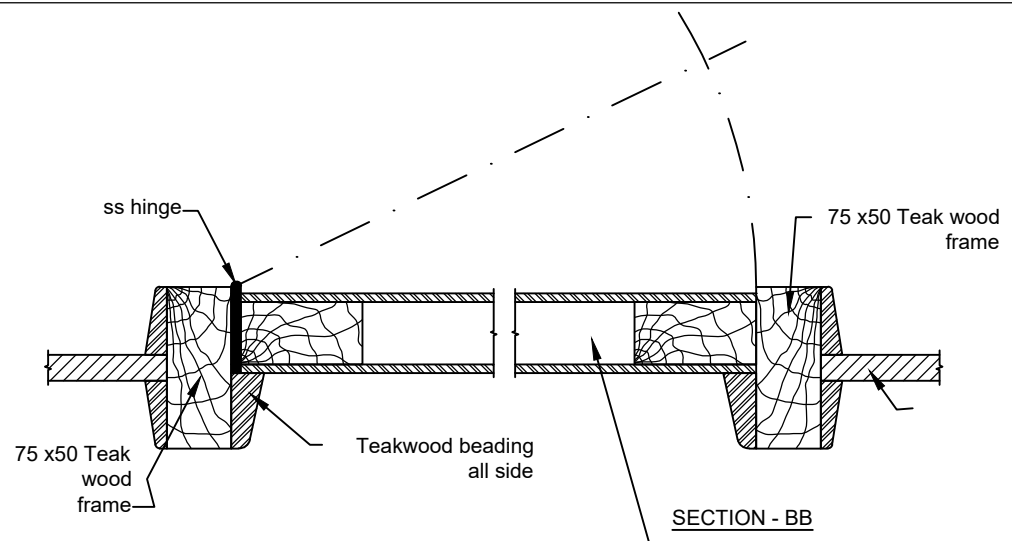
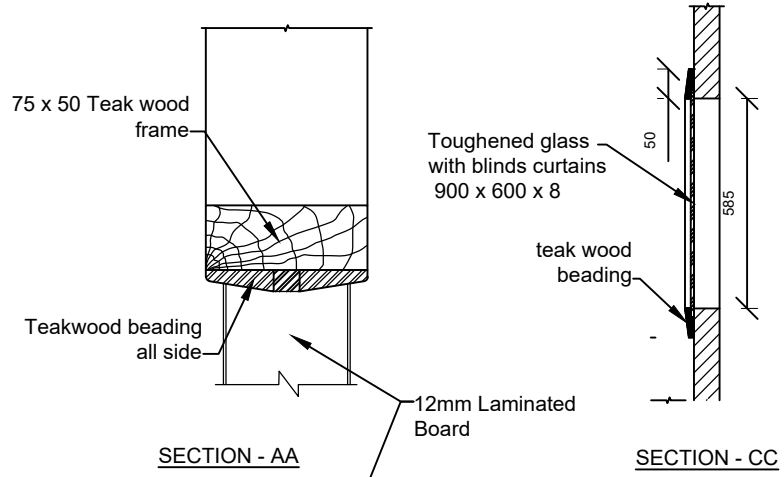
1950x1150x 32mm ply door with locking arrangement, handle, and foot stopper.



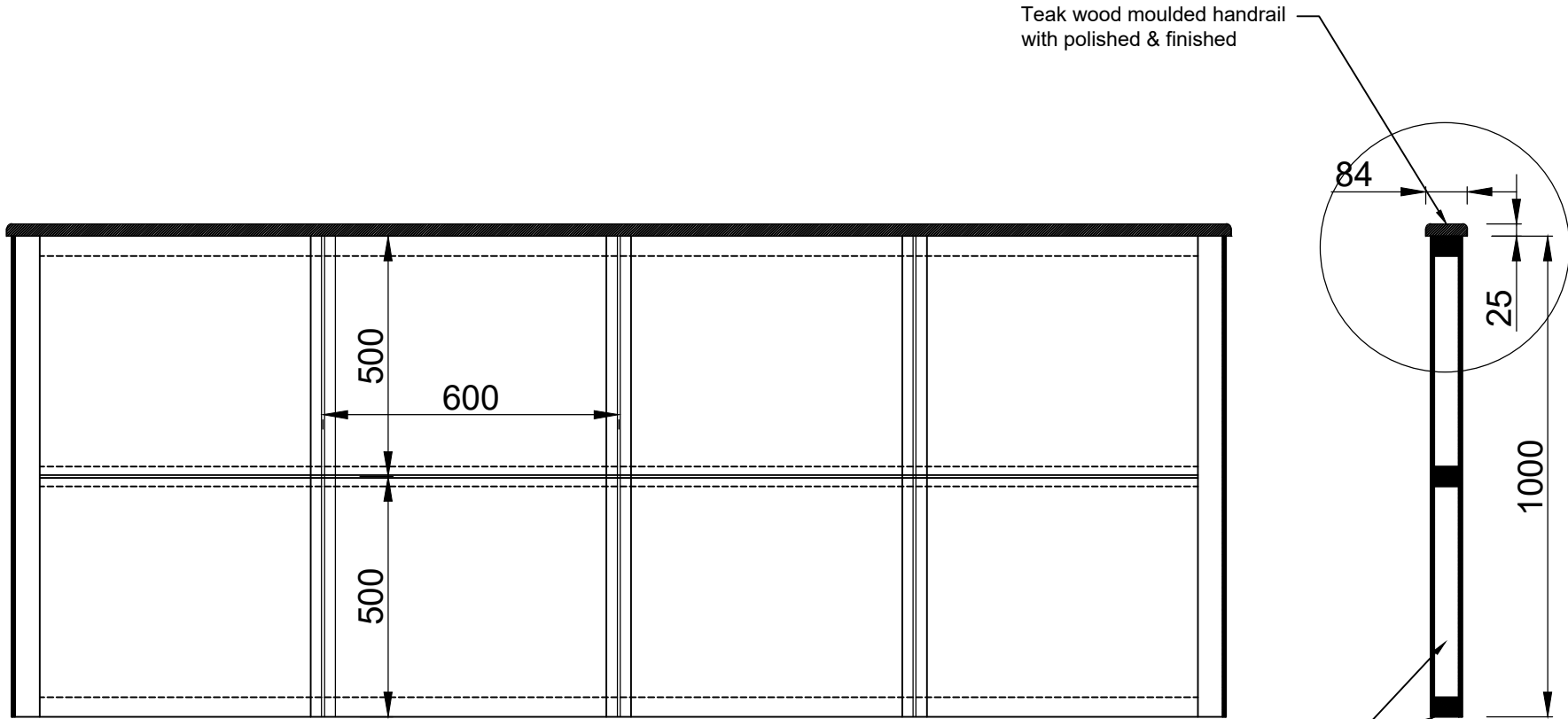
1950x1150x 32mm ply door with locking arrangement, handle, and foot stopper.

All dimensions are in mm

NATIONAL COUNCIL OF SCIENCE MUSEUMS			
UNIT: C.R.T.L.	PROJ.- CRTL		
DRG. NO. Ex.Lay03/03/2026	DATE 24/04/2026	SCALE 0 : 00	TOLERANCE ± 0.25mm
TITLE:- FULL HEIGHT PARTITION -Type A			NO OFF.
DRN. BY MINAKSHI DUTTA	CKD. & APPRD. BY PRAVEEN CHANDAKER		



NATIONAL COUNCIL OF SCIENCE MUSEUMS			
UNIT: C.R.T.L.		PROJ.- CRTL	
DRG. NO. Ex.Lay04/04/2026	DATE 24/04/2026	SCALE 0 : 00	TOLERANCE ± 0.25mm
TITLE:- FULL HEIGHT PARTITION -Type B			NO OFF.
DRN. BY MINAKSHI DUTTA		CKD. & APPRD. BY PRAVEEN CHANDAKER	

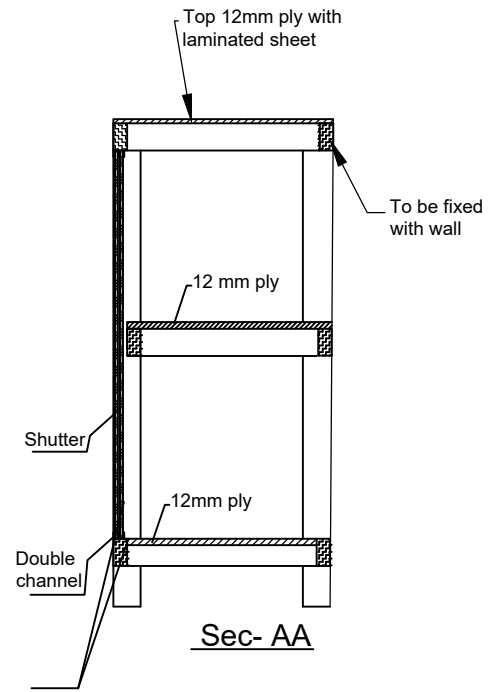
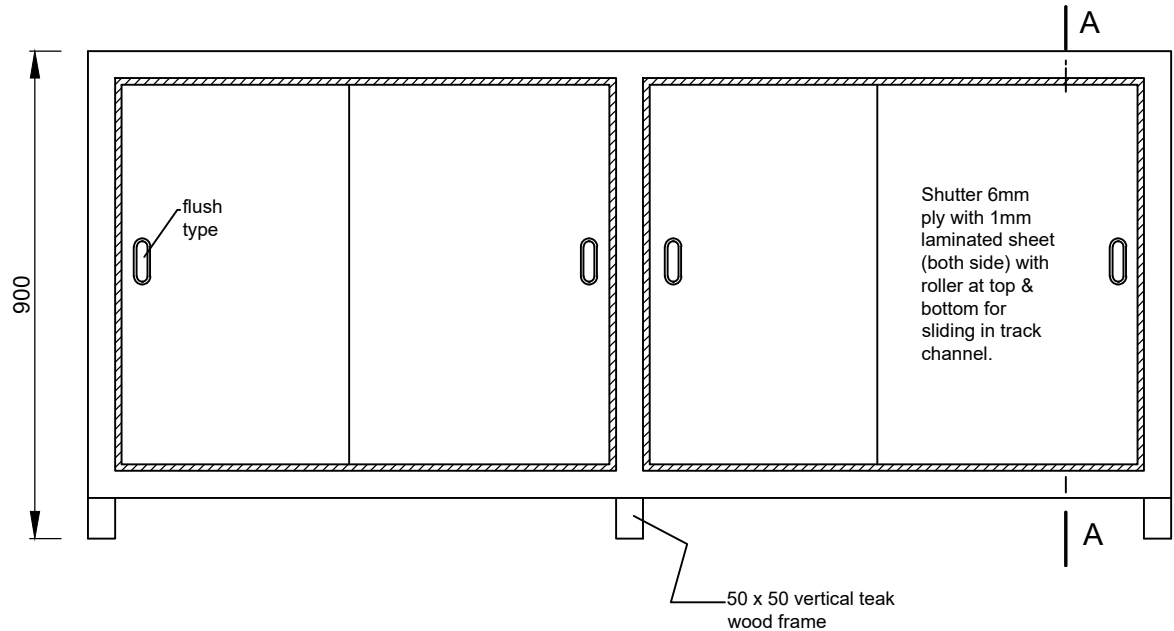
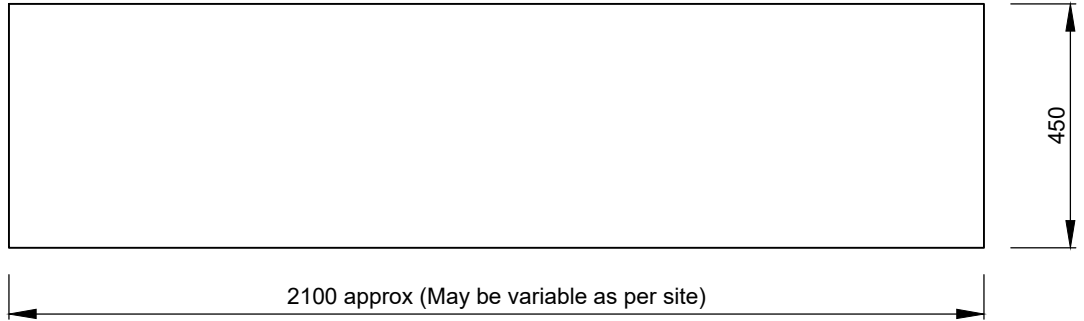


Teak wood moulded handrail with polished & finished

Structure should be 1mm laminated sheet (approved color) on 6mm phenol bonded ply on both sides over 75x75 (vertical) and 50x50(horizontal) teak wood frame work.

All dimensions are in mm

NATIONAL COUNCIL OF SCIENCE MUSEUMS			
UNIT: C.R.T.L.		PROJ.- CRTL	
DRG. NO. Ex.Lay06/06/2026	DATE 24/04/2026	SCALE 0 : 00	TOLERANCE ± 0.25mm
TITLE:- SEMI HEIGHT PARTITION			NO OFF.
DRN. BY MINAKSHI DUTTA		CKD. & APPRD. BY PRAVEEN CHANDAKER	

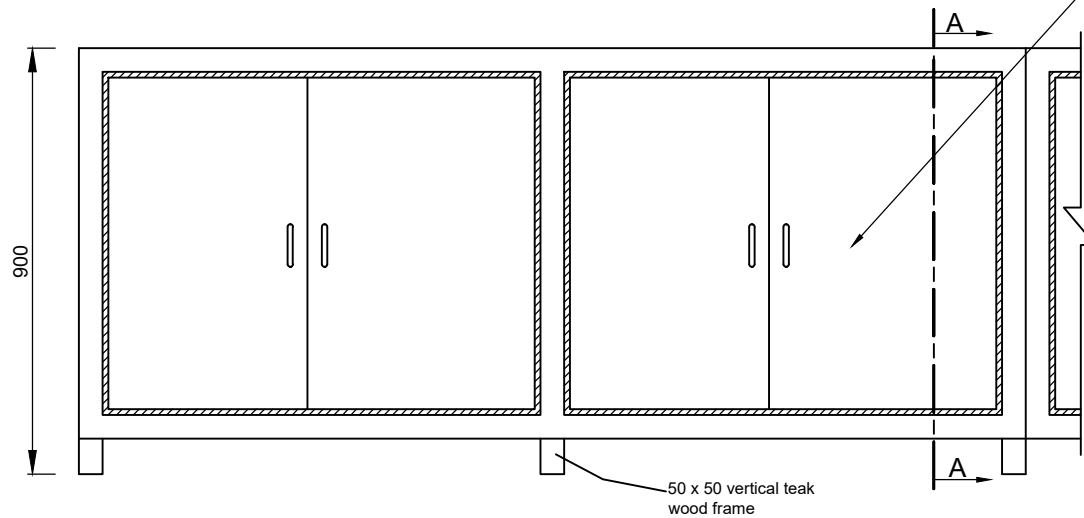
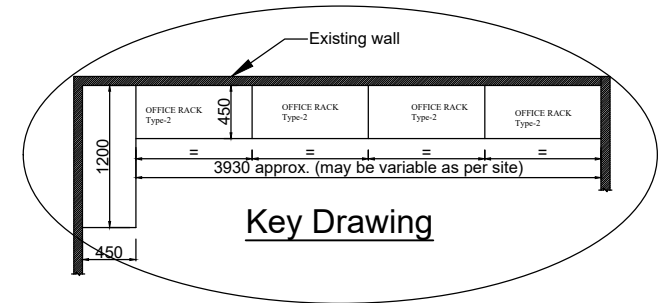
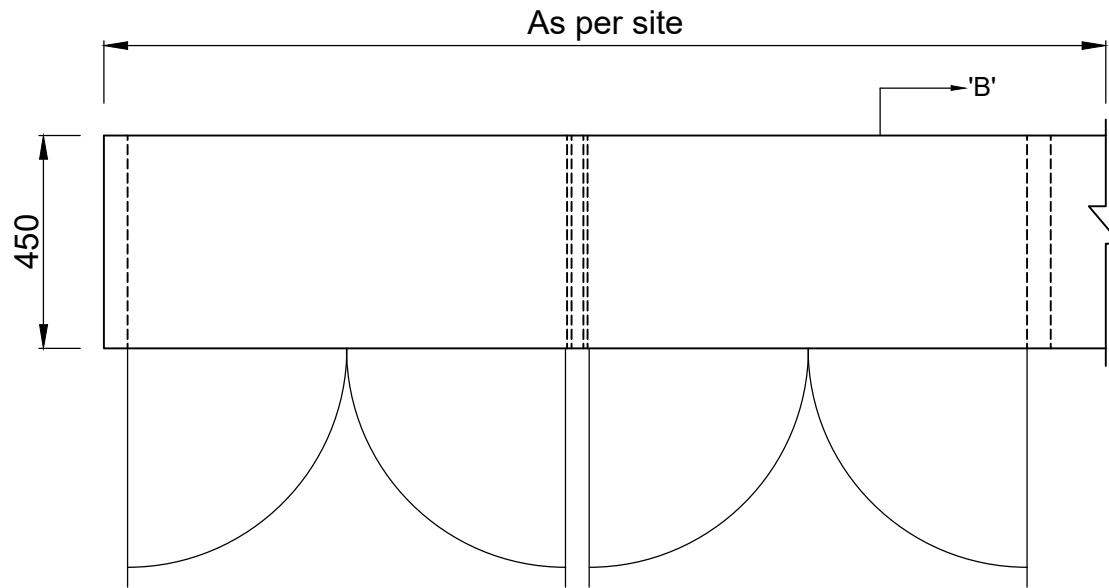


Note:-
The door must be equipped with roller at top & bottom for sliding in track channel. These set up is to be made hidden with finishing.

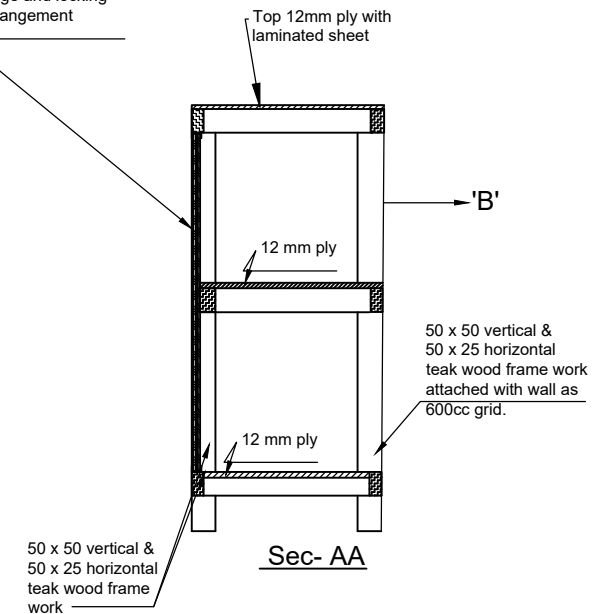
50 x 50 vertical & 50 x 25 horizontal teak wood frame work

All dimensions are in mm

NATIONAL COUNCIL OF SCIENCE MUSEUMS			
UNIT: C.R.T.L.	PROJ.- CRTL		
DRG. NO. Ex.Lay07/07/2026	DATE 24/04/2026	SCALE 0 : 00	TOLERANCE ±0.25mm
TITLE:- OFFICE RACK Type-1			NO OFF.
DRN. BY MINAKSHI DUTTA	CKD. & APPRD. BY PRAVEEN CHANDAKER		



19 mm ply door with hinge and locking arrangement



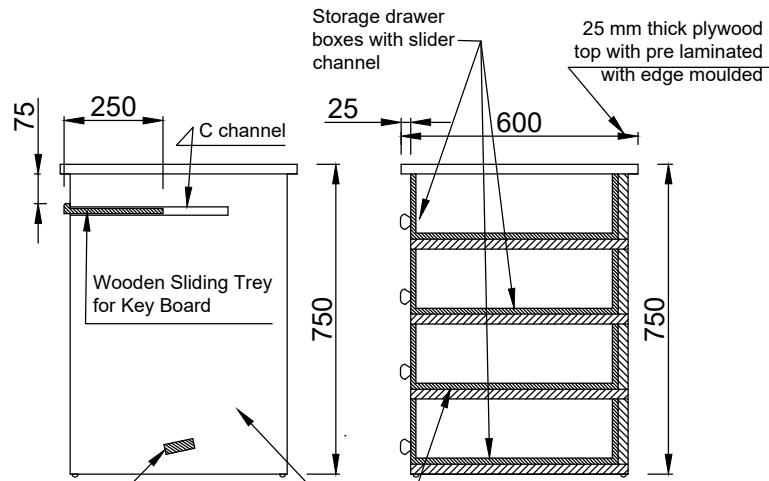
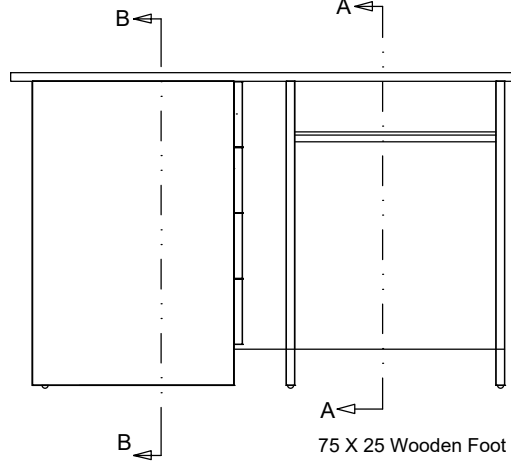
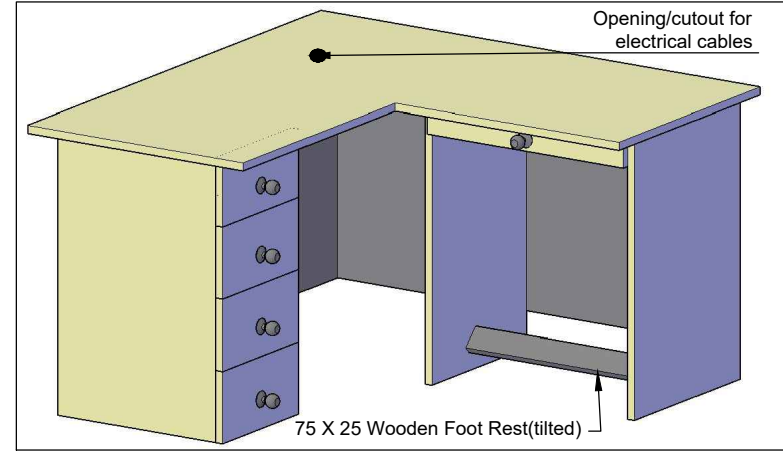
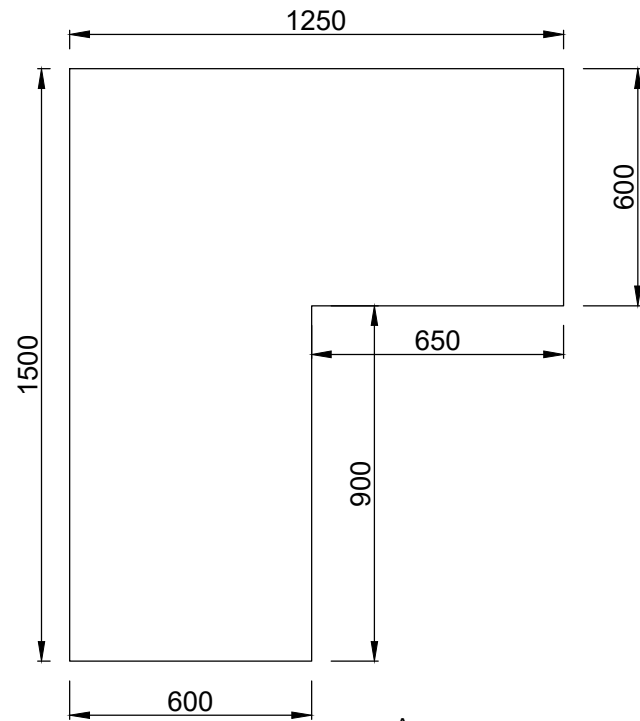
Sec- AA

Note:-

1. The schematic drawing/design may be varied to make equal space for all cabinet while execution.
2. All interior plywood surfaces must be laminated with 1mm inner(white) & all exposed exterior surfaces must be laminated with 1mm laminate of approved colour/shade.

All dimensions are in mm

NATIONAL COUNCIL OF SCIENCE MUSEUMS			
DRG. NO. Ex.Lay09/09/2026	DATE 24/04/2026	SCALE 0 : 00	TOLERANCE ±0.25mm
TITLE:- OFFICE RACK Type-2			NO OFF.
DRN. BY MINAKSHI DUTTA	CKD. & APPRD. BY PRAVEEN CHANDAKER		



75 X 25 Wooden Foot Rest(tilted)

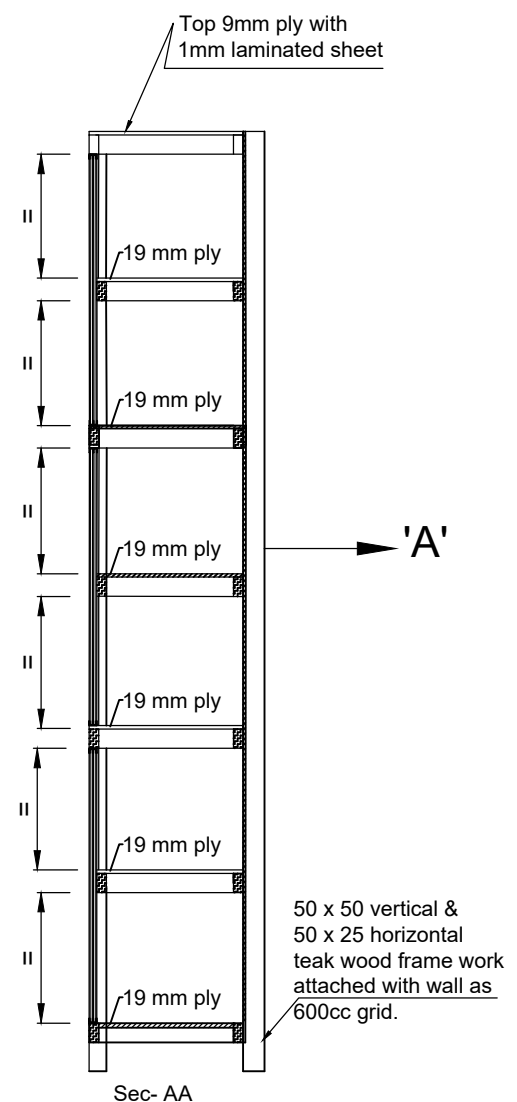
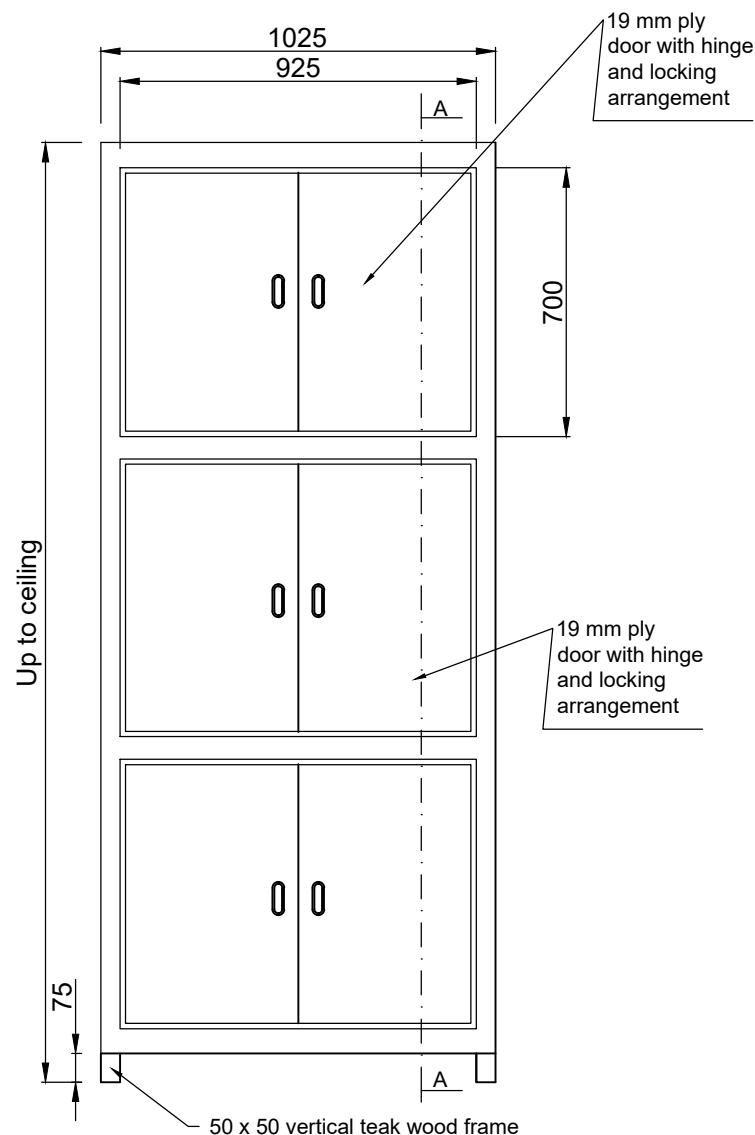
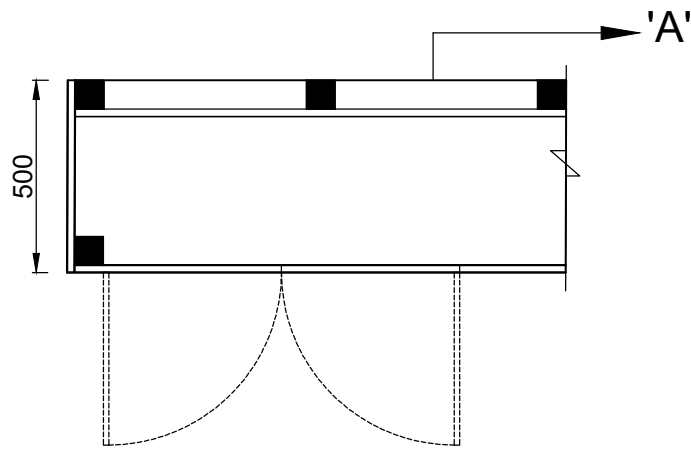
Section - AA

Section - BB

Structure made of 25 mm thick plywood with 1 mm laminated on all sides with moulded edge.

All dimensions are in mm

NATIONAL COUNCIL OF SCIENCE MUSEUMS			
UNIT: C.R.T.L.	PROJ.- CRTL		
DRG. NO. Ex.Lay08/08/2026	DATE 24/04/2026	SCALE 0 : 00	TOLERANCE ±0.25mm
TITLE:- OFFICE Table			NO OFF.
DRN. BY MINAKSHI DUTTA	CKD. & APPRD. BY PRAVEEN CHANDAKER		



- Note:-
1. The schematic drawing/design may be varied to make equal space for all cabinet while execution.
 2. All interior plywood surfaces must be laminated with 1mm inner(white) & all exposed exterior surfaces must be laminated with 1mm laminate of approved colour/shade.

NATIONAL COUNCIL OF SCIENCE MUSEUMS			
UNIT: C.R.T.L.		PROJ.- CRTL	
DRG. NO. Ex.Lay05/05/2026	DATE 24/04/2026	SCALE 1 : 00	TOLERANCE
TITLE:- Wall Mounted Wooden Cabinet			
DRN. BY MINAKSHI DUTTA		CKD. & APPRD. BY PRAVEEN CHANDAKER	